

### APPLICATION

- Separable termination designed to connect overhead lines or bus bars to equipment.
- Is suitable for indoor and outdoor use for medium polluted atmosphere.

### DESIGN

The plug-in termination is a moulded epoxy insulated part. It meets the type A - 250 A interface as described in CENELEC EN 50180 and 50181.

### SPECIFICATIONS AND STANDARDS

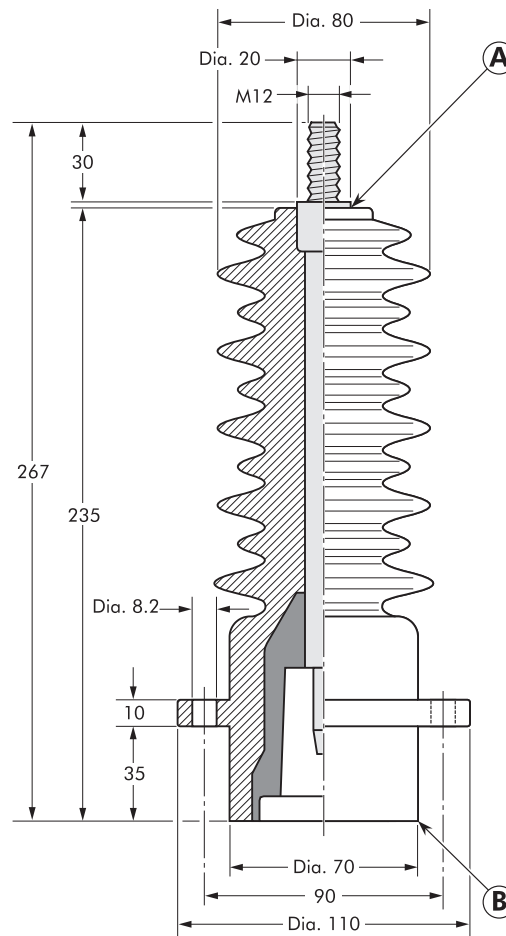
The separable termination PITO-E meets the requirements of IEC 60137.

### ORDERING INSTRUCTIONS

To order the plug-in termination for 12 or 24 kV, specify PITO-E. The kit includes the bail restraint and 2 brass nuts.

### TECHNICAL CHARACTERISTICS

Each plug-in termination is tested for AC withstand prior to leaving the factory.



6/10 (12) kV  
 6.35/11 (12) kV  
 8.7/15 (17.5) kV  
 12/20 (24) kV  
 12.7/22 (24) kV

Up to 24 kV - 250 A

**EUROMOLD®**

In mm.

Plug-in termination type	Voltage $U_r$ (kV)	Current $I_r$ (A)	Creepage distance A-B (mm)
PITO-E	12	250	510
PITO-E	24	250	510