

(M)(P)400TB

INTERFACE C TEE CONNECTOR

APPLICATION

Separable tee shape connector (bolted type) designed to connect polymeric insulated cable to equipment (transformers, switchgear, motors, ...).

Also connects cable to cable when using the appropriate mating parts.

TECHNICAL CHARACTERISTICS

- The thick conductive EPDM jacket provides a total safe to touch screen which ensures safety for personnel.
- Each separable connector is tested for AC withstand and partial discharge prior to leaving the factory.

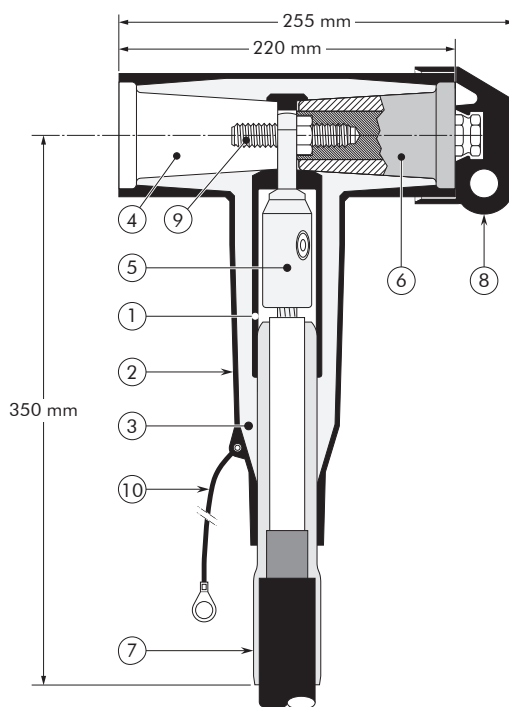


DESIGN

Separable connector comprising:

1. Conductive EPDM insert.
2. Conductive EPDM jacket.
3. Insulating EPDM layer.
4. Type C interface as described by CENELEC EN 50180 and 50181.
5. Conductor contact.
6. Basic insulating plug (with VD point).
7. Cable reducer.
8. Conductive rubber cap.
9. Clamping screw.
10. Earthing lead.

The screen break design enables cable outer sheath testing without removing or dismantling the connector.



18/30 (36) kV
19/33 (36) kV
20.8/36 (42) kV

Up to 42 kV
630 A - 800 A

EUROMOLD®

SPECIFICATIONS AND STANDARDS

The 400TB separable connector meets the requirements of CENELEC HD 629.1 S1.

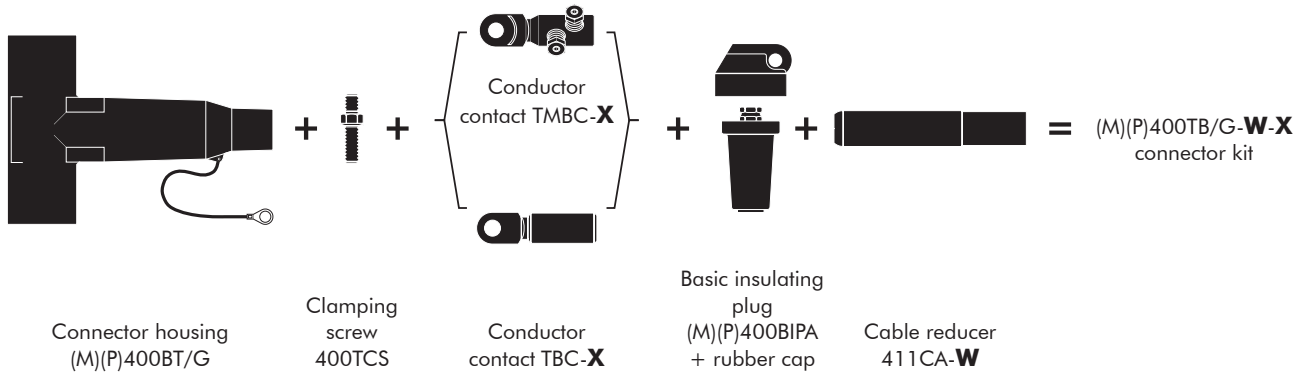
Separable connector type	Voltage U_m (kV)	Current I_r (A)	Current I_r (A) When using a copper (-11-2) or a bolted (-14-5) conductor contact	Conductor sizes (mm ²)	
				min	max
M400TB/G	36	630	800	35	240
P400TB/G	42	630	800	35	240

11/2020

KIT CONTENTS

The complete(M)(P)400TB/G tee connector kit comprises the following components:

The kit also comprises silicone grease, gloves, wipers, roll adhesive tape and installation instructions.



ORDERING INSTRUCTIONS

To order the tee connector, select the ordering part number which gives you the best centring of your core insulation diameter and substitute **X** using table X, according to your conductor size and type. Add an 'M' for use up to 36 kV, add a 'P' for use up to 42 kV.

TABLE W

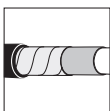
Ordering part number	Dia. over core insulation (mm)	
	min	max
400TB/G-11-X	12.0	17.5
400TB/G-15-X	16.0	22.0
400TB/G-19-X	20.0	26.5
400TB/G-22-X	23.5	31.0
400TB/G-25-X	26.5	32.5
400TB/G-27-X	28.5	37.5

TABLE X

Conductor sizes (mm ²)	Aluminium conductor		Aluminium and copper conductor	Copper conductor
	DIN hexagonal	Deep indent	Bolted	DIN hexagonal
35	35(K)M-10-2	35KM-10-1	16.95-14-5	35(K)M-11-2
50	50(K)M-10-2	50(K)M-10-1		50.150-14-5
70	70(K)M-10-2	70(K)M-10-1	95.240-14-5	
95	95(K)M-10-2	95(K)M-10-1		120.300-14-5
120	120(K)M-10-2	120(K)M-10-1		
150	150(K)M-10-2	150(K)M-10-1		150(K)M-11-2
185	185(K)M-10-2	185(K)M-10-1		185(K)M-11-2
240	240(K)M-10-2	240(K)M-10-1		240(K)M-11-2
300	300(K)M-10-2	-		300(K)M-11-2

EXAMPLE:

The copper wire screened cable is 36 kV, 150 mm² stranded copper with a diameter over core insulation of 32.5 mm. Order a M400TB/G-27-150(K)M-11-2 tee connector kit.



For use with copper tape screened cables. Order: Kit MT.



For use with other cable types. Please contact our representative.



For applications outdoors and in humid climate. Order: +MWS.



Components can be ordered individually.



When installed on an appropriate equipment bushing: 800 A continuously