

676LRA

APPLICATION

Separable tee connector designed to connect polymeric insulated cable to equipment (transformers, switchgear, motors...).

Also connects cable to cable, using the appropriate mating part.

TECHNICAL CHARACTERISTICS

- A thick conductive EPDM jacket provides a total safe to touch screen.
- Each separable connector is tested for AC withstand and partial discharge prior to leaving the factory.

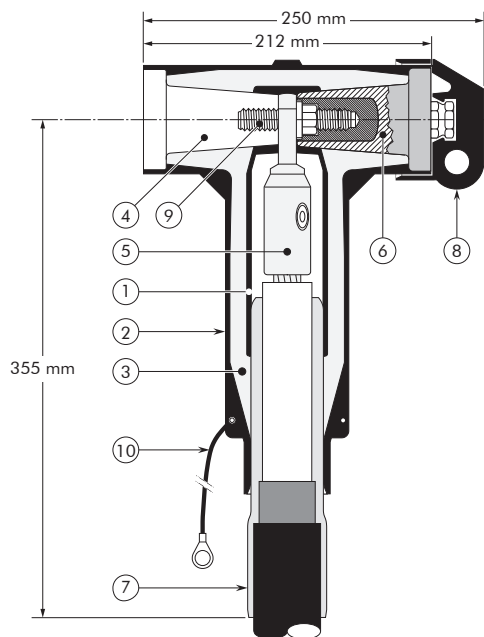
INTERFACE D TEE CONNECTOR



DESIGN

Separable connector comprising:

1. Conductive EPDM insert.
2. Conductive EPDM jacket.
3. Insulating EPDM layer moulded between the insert and the jacket.
4. Type D - 1250 A interface as described by CENELEC EN 50180 and 50181.
5. Conductor contact.
6. Basic insulating plug (with VD point).
7. Cable reducer.
8. Conductive rubber cap.
9. Threaded stud.
10. Earthing lead.



6/10 (12) kV
6.35/11 (12) kV
8.7/15 (17.5) kV
12/20 (24) kV
12.7/22 (24) kV

Up to 24 kV - 1250 A

EUROMOLD

The screen break design enables cable outer sheath testing without removing or dismantling the connector.

SPECIFICATIONS AND STANDARDS

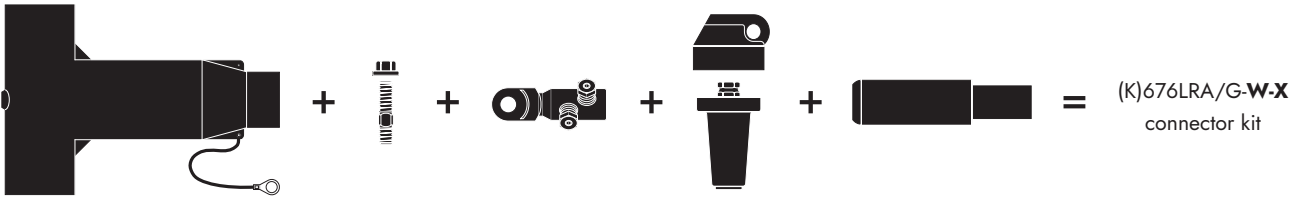
The 676LRA separable connector meets the requirements of CENELEC HD 629.1.

Separable connector type	Voltage U_m (kV)	Current I_r (A)	Conductor sizes (mm ²)	
			min.	max.
676LRA/G	12	1250	50	630
K676LRA/G	24	1250	35	630

KIT CONTENTS

The complete (K)676LRA tee connector kit comprises the following components:

The kit also comprises silicone grease, wipers, field control mastic and installation instructions.



Connector housing
(K)650BLR/G

Threaded
stud + nut
676SN

Conductor
contact
TMBC-X

Basic insulating
plug (K)676BIPA
+ rubber cap

Cable reducer
611CA-W

ORDERING INSTRUCTIONS

Select the part number which gives the best centring to the cable core insulation diameter and substitute **X** using table X, according to your conductor size and type.

Add a 'K' for use up to 24 kV.

EXAMPLE:

The copper wire screened cable is 24 kV, 630 mm² stranded aluminium with a diameter over core insulation of 44.0 mm.

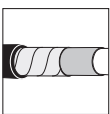
Order a K676LRA/G-37-400.630UN5 tee connector kit.

TABLE W

Ordering part number	Dia. over core insulation (mm)	
	min.	max.
676LRA/G-15-X	16.0	22.0
676LRA/G-19-X	20.0	26.5
676LRA/G-22-X	23.5	31.0
676LRA/G-27-X	28.5	37.5
676LRA/G-32-X	34.0	42.5
676LRA/G-37-X	39.0	48.5
676LRA/G-43-X	45.5	56.0

TABLE X

Conductor sizes (mm ²)	Aluminium and copper conductor		
	Bolted		
35	16.95UN5		
50			
70			
95			
120		95.300UN5	
150			
185			
240			
300			400.630UN5
400			
500			
630			



For use with
copper tape
screened cables.
Order: Kit MT.



For use with
other cable types.
Please contact our
representative.



For outdoor
applications.
Order: +MWS.



For use in potentially expo-
sive atmospheres
(for 12 kV max.).
Order: -/ATEX.



Components can be
ordered individually.