



# NEXANS POWER ACCESSORIES

## An essential cog in energy systems

The future will be electric. The present already is. As electrification gathers spaces, network operators are undertaking large-scale projects to extend and modernize the grids. These projects require a wide range of power accessories. Nexans is a leading manufacturer and distributor in this field since more than 60 years, supplying a full range of power accessories to our global customers in about 100 countries.

We connect all types of cables, for high- and medium-voltage installations, and all types of conductors with any cross-section. We provide underground cable junctions, and connect cables to various types of equipment, including transformers and switchgear. Our products are used on both onshore and offshore networks, on wind and solar farms, or in data centers for example.

Our range of products includes EUROMOLD connectors, our cutting-edge EPDM technology, known for its exceptional performance and reliability. We also provide cold and heat shrinkable joints and terminations, developed to be always easier to install and reliable. We pre-assemble ready to install jumpers. And our extensive range of GPH ferrules and lugs, designed to meet the highest standards of quality and durability, are embodied in all our accessories kits or delivered separately.

Nexans is committed to delivering innovative solutions and top-notch products in the field of electrical connections and accessories.

**Together, we have the power to electrify the future!**

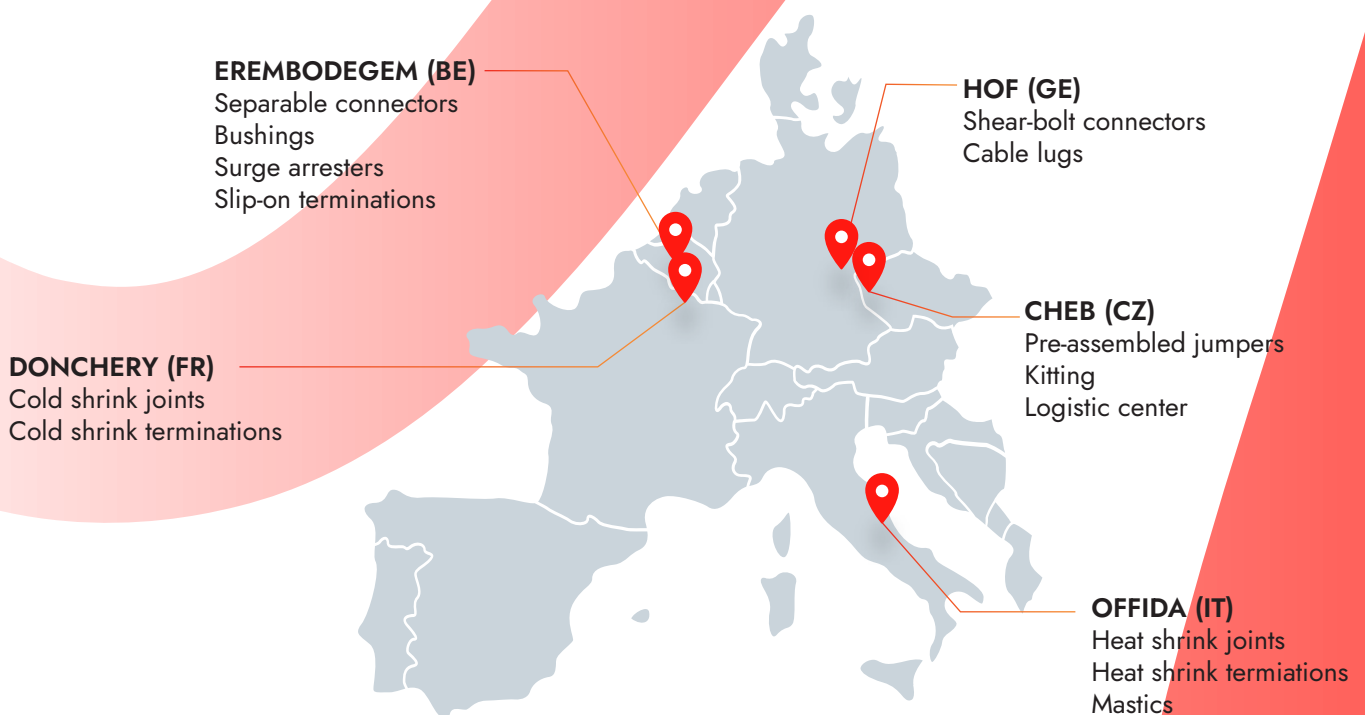
## Laboratory accreditation

Since June 2000, Nexans independent ELAB laboratory obtained the BELAC accreditation no.144-TEST conform with the European standards for laboratories ISO 17025 for electrical testing of low and medium voltage cable accessories according to the international standards EN 50393, IEC 60502-4, IEC 61442 and HD 629.

## ISO 9001 Certificate

Since 1992, Nexans commitment to quality is demonstrated by its ISO 9001 certification.

## At Nexans, we are proud of our manufacturing and kitting sites



# Medium voltage separable connectors



- Produced in **Europe**
- 100% routine tested
- Only high-quality material is used
- **Made 100% of EPDM rubber**
- All connectors are tested conform to the CENELEC **HD629.1** standard. Test reports available upon demand
- Degree of protection **IP67**: dust tight & immersion in water

- A complete range (12 kV - 72 kV)
- For cross sections from **95 mm<sup>2</sup> to 1200 mm<sup>2</sup>**
- Temperature range from **-60°C to +130°C**
- A range of associated coupling connectors and surge arresters all with compact design
- Offers many test options: capacitive test point, cable tests ...



# COMPACT SEPARABLE CONNECTORS

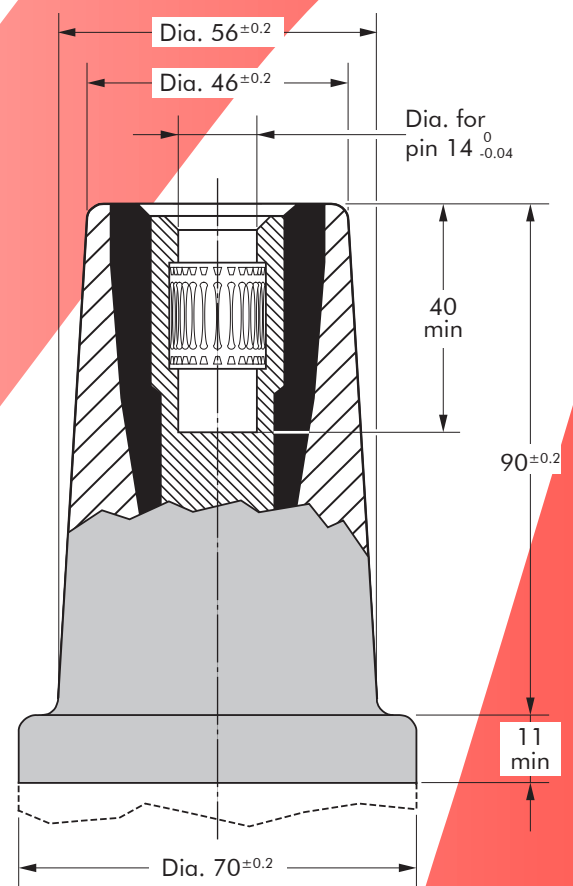
## INTERFACE B

### TABLE OF CONTENTS

400LR - elbow connector  
400T1 - equipment bushing  
400AR-1 - equipment bushing  
400AR-2 - equipment bushing  
400AR-8 - equipment bushing  
400SFR-P - equipment bushing  
Accessories  
Possible arrangements

### INTERFACE B

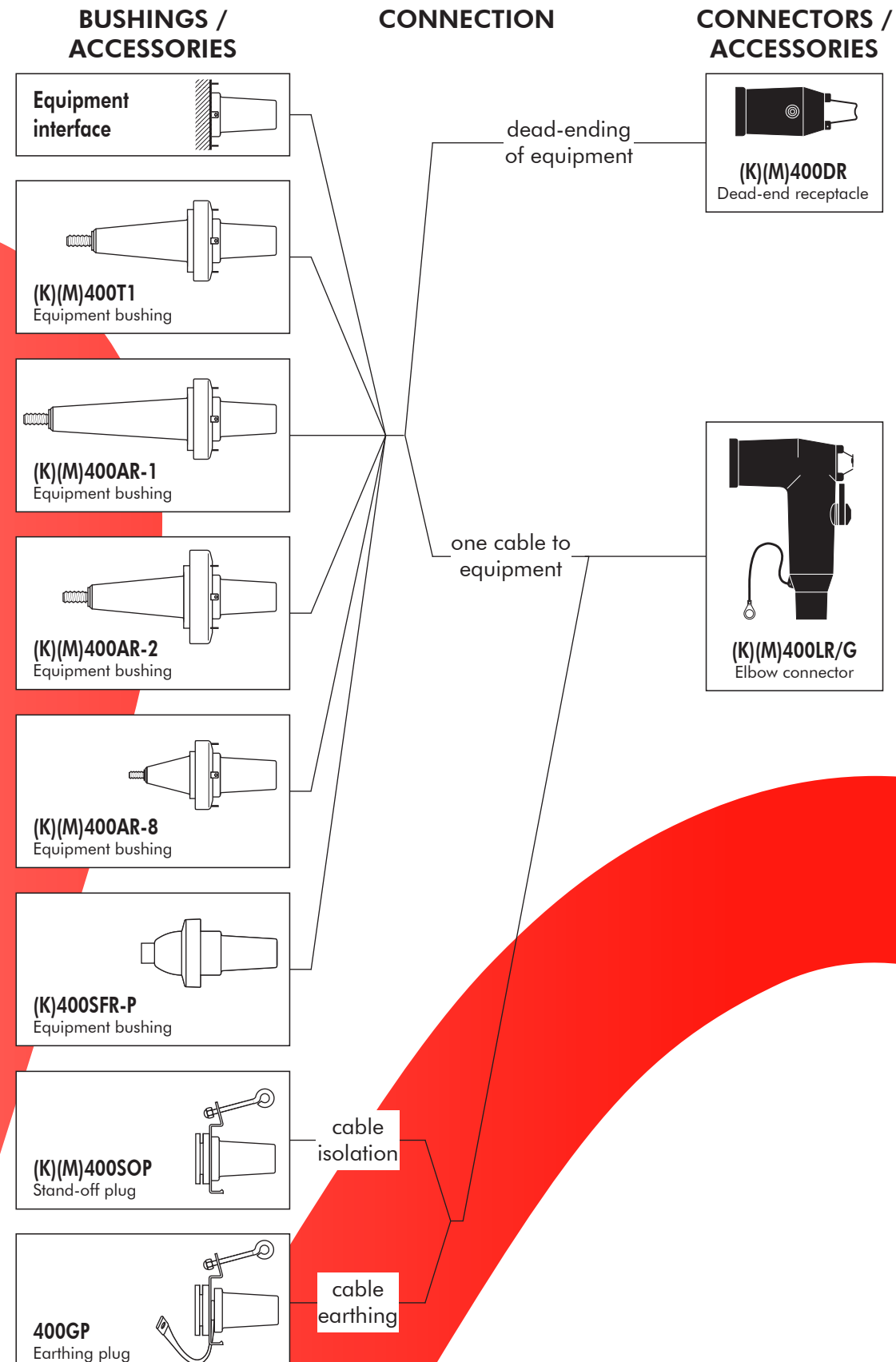
Dimensions according to European CENELEC EN 50180 and 50181 (in mm).



In mm.

While every care is taken to ensure that the information contained in this publication is correct, no legal responsibility can be accepted for any inaccuracy. Nexans Network Solutions N.V. - Div. Euromold reserves the right to alter or modify the characteristics of its products described in this catalogue as standards and technology evolve.

# CONNECTING POSSIBILITIES



# Made in Europe since 50 years

EUROMOLD separable connectors are made in Europe using only high-quality material such as EPDM rubber. Each product is tested according to CENELEC standards to ensure long-lasting quality.

## + Compact & flexible design

The compact design of separable connectors uses less raw material and limits sub packaging. It also facilitates installation in reduced space equipment configuration. The ability to combine connectors for most interfaces offers flexibility in the design of your installation.



## + Reliable

EUROMOLD connectors have a proven track record of high reliability and performance in medium & low high voltage applications. Each separable connector is made with high quality components in Europe and individually tested before leaving the plant, ensuring a reliable connection.

## Easy to install & safe



Make your job easier with Nexans separable connectors. They can easily be installed & removed, when de-energized without specific tools, and safely, thanks to high quality EPDM rubber inner and outer jackets, ensuring a long-lasting protection even in harsh environmental conditions.

## All-in-one solution



EUROMOLD's separable connectors fit every projects with their different shapes available for a wide range of cross sections taking GPH lugs and cable adaptors, limiting complexity and therefore stock, for all interfaces from A to F.



# 400LR

## APPLICATION

Separable elbow connector (plug-in type) designed to connect polymeric insulated cable to equipment (transformers, switchgear, motors...).

## TECHNICAL CHARACTERISTICS

- The thick conductive EPDM jacket provides a total safe to touch screen which ensures safety for personnel.
- Each separable connector is tested for AC withstand and partial discharge prior to leaving the factory.

## INTERFACE B ELBOW CONNECTOR

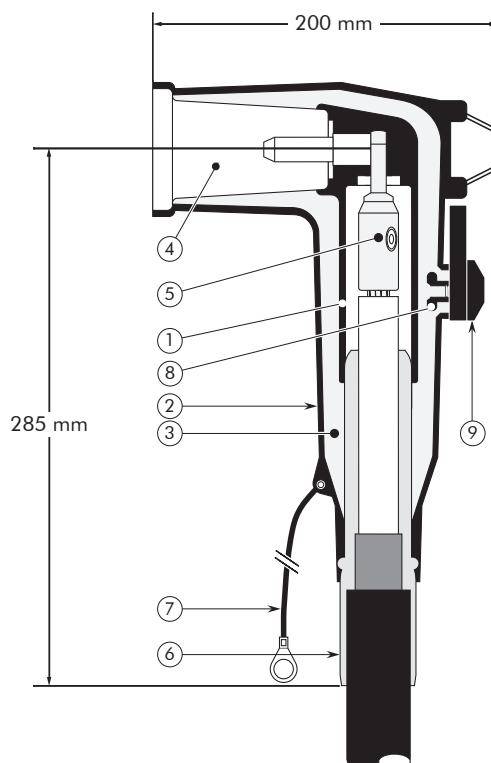


## DESIGN

Separable connector comprising:

1. Conductive EPDM insert.
2. Conductive EPDM jacket.
3. Insulating EPDM layer.
4. Type B - interface as described by CENELEC EN 50180 and 50181.
5. Conductor connector.
6. Cable reducer.
7. Earthing lead.
8. VD point.
9. Conductive rubber cap.

The screen break design enables cable outer sheath testing without removing or dismantling the connector.



**6/10 (12) kV**  
**6.35/11 (12) kV**  
**8.7/15 (17.5) kV**  
**12/20 (24) kV**  
**12.7/22 (24) kV**  
**18/30 (36) kV**  
**19/33 (36) kV**

**Up to 36 kV - 400 A**

**EUROMOLD**

## SPECIFICATIONS AND STANDARDS

The separable connector 400LR meets the requirements of CENELEC HD 629.1.

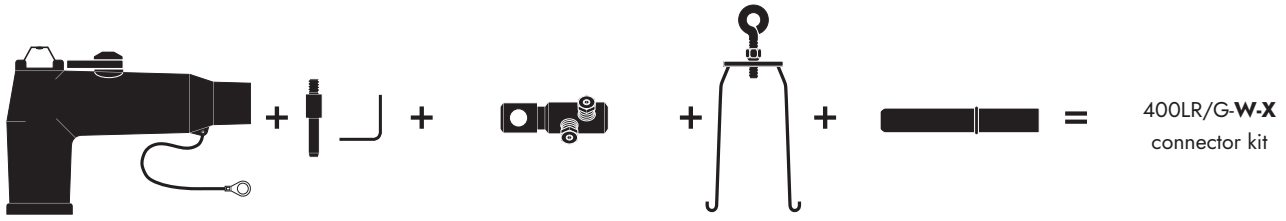
Separable connector type	Voltage $U_m$ (kV)	Current $I_r$ (A)	Conductor sizes (mm <sup>2</sup> )	
			min	max
400LR/G	12	400	25	240
K400LR/G	24	400	25	240
M400LR/G	36	400	35	185



## KIT CONTENTS

The complete (K)(M)400LR/G elbow connector kit comprises the following components:

The kit also comprises silicone grease, gloves, wipers, roll adhesive tape and installation instructions.



Connector housing  
(K)(M) 400BLR/G

Pin contact  
+ hex. key  
400LRF

Conductor  
contact  
400LRMC-X

Bail  
restraint  
400BA

Cable reducer  
CA0-W

400LR/G-W-X  
connector kit

## ORDERING INSTRUCTIONS

To order the elbow connector, select the part number which gives the best centring to the cable core insulation diameter and substitute X using table X, according to the conductor size and type. Add a 'K' for use up to 24 kV, add an 'M' for use up to 36 kV.

TABLE W

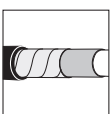
Ordering part number	Dia. over core insulation (mm)	
	min	max
400LR/G-011-X	12.0	19.0
400LR/G-015-X	16.0	26.5
400LR/G-018-X	19.0	32.6
400LR/G-021-X	22.0	34.6
400LR/G-027-X	28.5	37.5

### EXAMPLE:

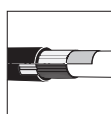
The cable is 24 kV, 185 mm<sup>2</sup> stranded copper with a diameter over core insulation of 27.5 mm. Order a K400LR/G-018-95.240UN5 elbow connector kit.

TABLE X

Conductor sizes (mm <sup>2</sup> )	Aluminium and copper conductor	
	Bolted	
25	25.95UN5	
35		
50		
70		
95		
120		95.240UN5
150		
185		
240		



For use with copper tape screened cables.  
Order: Kit MT.



For use with Alupe or C 33-226 cables.  
Please contact our representative.



For use with other cable types.  
Please contact our representative.



For applications outdoors and in humid climate.  
Order: +MWS.



Components can be ordered individually.

# 400T1/400AR-1 / 400AR-2

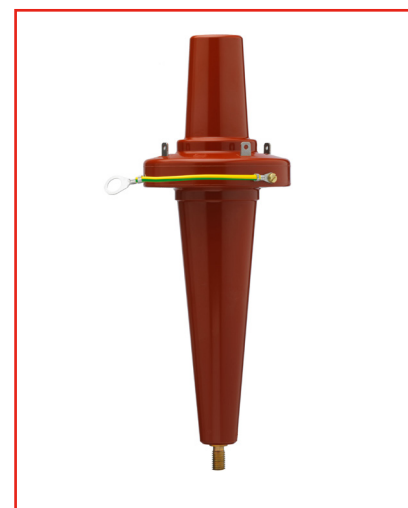
## INTERFACE B2 EQUIPMENT BUSHINGS

### APPLICATION

For use in equipment insulated with oil fluid, typically for transformers, switchgear, capacitors...

### TECHNICAL CHARACTERISTICS

Each bushing is tested for AC withstand and partial discharge prior to leaving the factory.

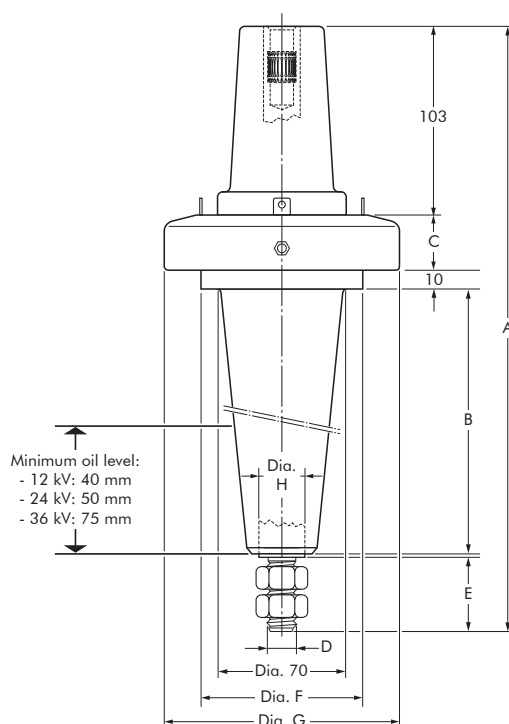


### SPECIFICATIONS AND STANDARDS

The plug-in type equipment bushings are moulded epoxy insulated parts and meet the requirements of IEC 60137. The (K) (M)400T1 also meets CENELEC EN 50180 .

### ORDERING INSTRUCTIONS

To order the equipment bushing, specify the type.  
The bushings are supplied with an earth jumper (/J) or an earth plate (/GS). This earth connection must be specified when ordering.  
E.g. K400AR-1/J.



**6/10 (12) kV**  
**6.35/11 (12) kV**  
**8.7/15 (17.5) kV**  
**12/20 (24) kV**  
**12.7/22 (24) kV**  
**18/30 (36) kV**

**Up to 36 kV - 400 A**

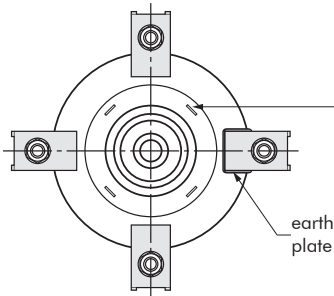
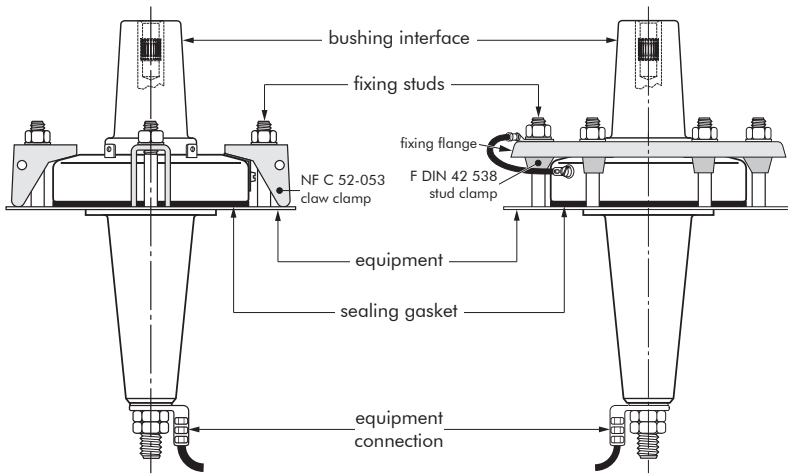
**EUROMOLD**

In mm.

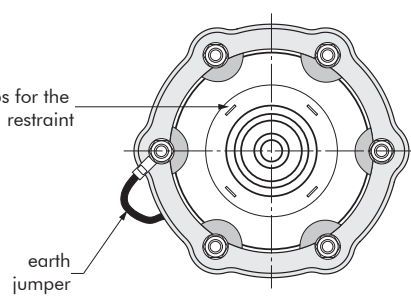
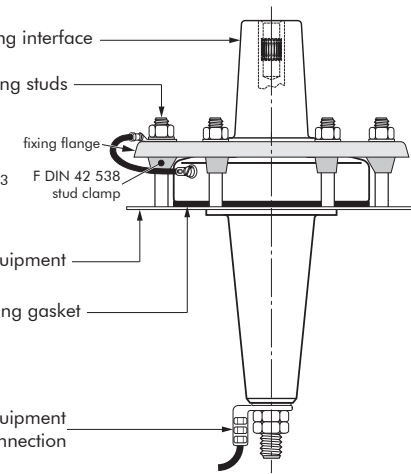
Equip-ment bushing type	Voltage Um (kV)	Current Ir (A)	Dimensions (mm)							
			A	B	C	D	E	Dia. F	Dia. G	Dia. H
400T1	12	400	310	144	30	M12	22	88	128	16
K400T1	24	400	310	144	30	M12	22	88	128	16
M400T1	36	400	310	144	30	M12	22	88	128	16
400AR-1	12	400	380	213	30	M12	22	74	128	16
K400AR-1	24	400	380	213	30	M12	22	74	128	16
M400AR-1	36	400	380	213	30	M12	22	74	128	16
400AR-2	12	400	329	138	36	M16	40	100	150	30
K400AR-2	24	400	329	138	36	M16	40	100	150	30
M400AR-2	36	400	329	138	36	M16	40	100	150	30

# FIXINGS FOR EQUIPMENT BUSHINGS

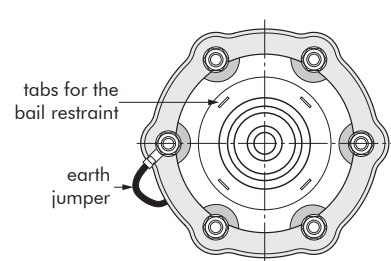
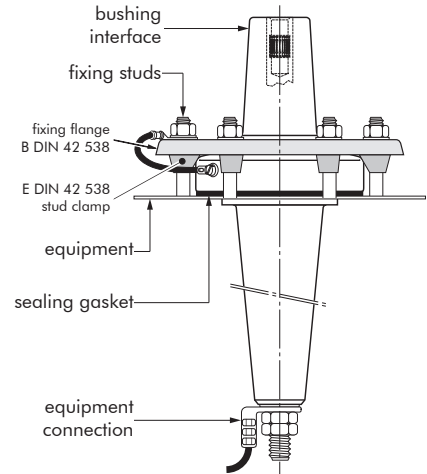
## 400AR-2/GS BUSHING



## 400AR-2/J BUSHING



## 400AR-1/J AND 400T1/J BUSHINGS



### BUSHING CLAMPING KIT

To order the bushing clamping kit, according to NF C 52-053 standards, simply specify: KBC-NFC 52-053 /400 SERIES (for bushing type 400AR-2).

Contents: - 4 x claw clamp NF  
- 1 x sealing gasket.

### BUSHING CLAMPING KIT

To order the bushing clamping kit, simply specify: KBC-RING CLAMP 3.

Contents: - 1 x fixing flange  
Ø150 mm  
- 6 x stud clamp F  
- 1 x sealing gasket.

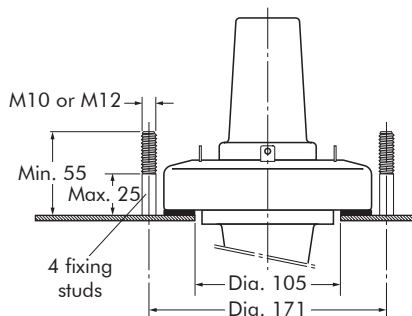
### BUSHING CLAMPING KIT

To order the bushing clamping kit, according to DIN 42 538 standards, simply specify: KBC - RING CLAMP 2.

Contents: - 1 x fixing flange B  
- 6 x stud clamp E  
- 1 x sealing gasket.

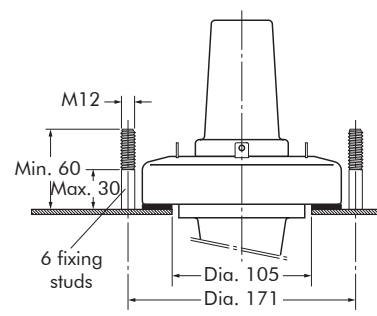
### FIXING DIMENSIONS STANDARDS NF C 52-053

French standards.



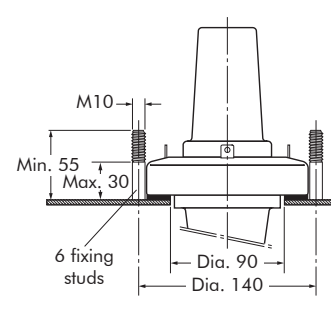
### FIXING DIMENSIONS

German standards.



### FIXING DIMENSIONS STANDARDS DIN 42 538

German standards.



In mm.



# 400AR-8

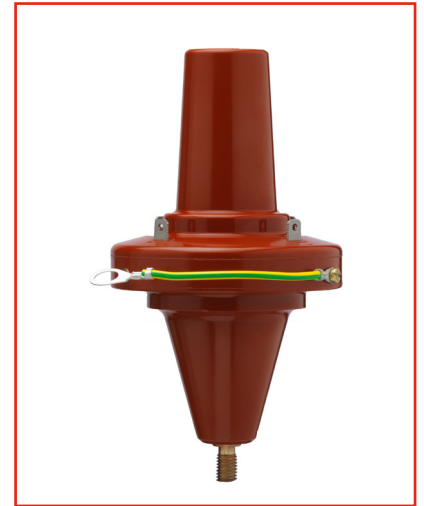
## APPLICATION

For use in equipment insulated with oil fluid, typically for transformers, switchgear, capacitors...

## TECHNICAL CHARACTERISTICS

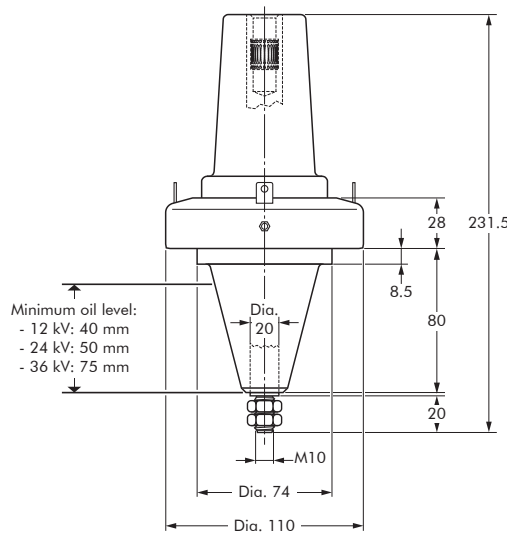
Each bushing is tested for AC withstand and partial discharge prior to leaving the factory.

## INTERFACE B EQUIPMENT BUSHING



## SPECIFICATIONS AND STANDARDS

The plug-in type equipment bushings 400AR-8 are moulded epoxy insulated parts and meet the requirements of CENELEC EN 50180 and IEC 60137.



**6/10 (12) kV**  
**6,35/11 (12) kV**  
**8,7/15 (17,5) kV**  
**12/20 (24) kV**  
**12,7/22 (24) kV**  
**18/30 (36kV)**  
**19/33 (36kV)**

**Up to 36 kV - 250 A**

## ORDERING INSTRUCTIONS

To order the equipment bushing, specify the type.

The bushings can be supplied with an earth jumper (/J).

E.g. M400AR-8/J.

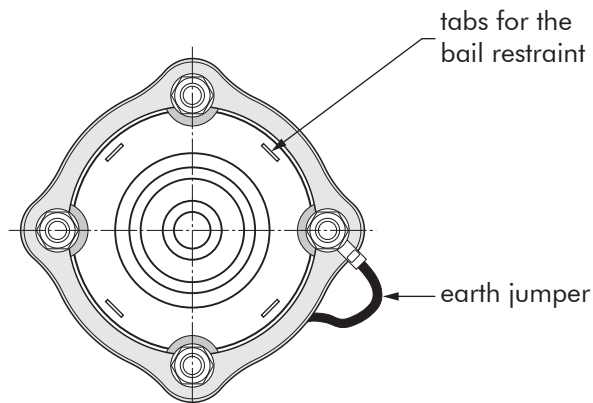
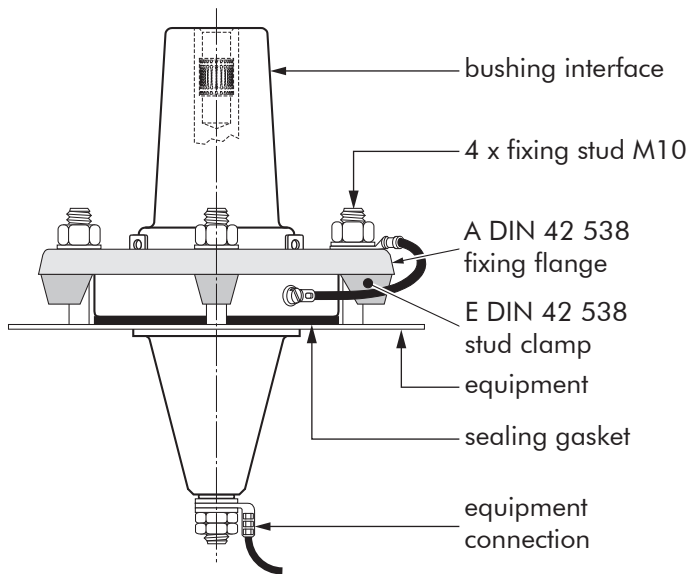
**EUROMOLD**

In mm.

Equipment bushing type	Voltage Um (kV)	Current Ir (A)
400AR-8	12	250
K400AR-8	24	250
M400AR-8	36	250

# FIXINGS FOR EQUIPMENT BUSHINGS

## 400AR-8/J BUSHING



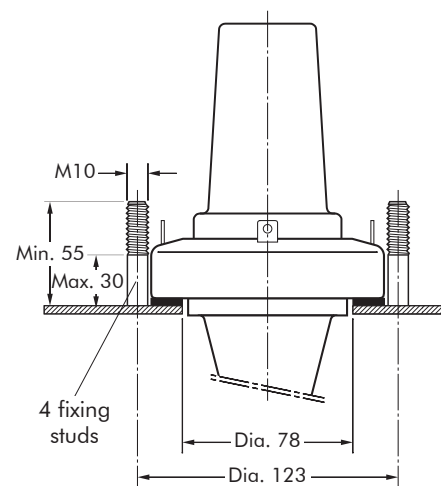
## BUSHING CLAMPING KIT

To order the bushing clamping kit, according to DIN 42 538 standards, simply specify: KBC - RING CLAMP 1 DIN 42538.

Contents: - 1 x fixing flange A  
 - 4 x stud clamp E  
 - 1 x sealing gasket.

## FIXING DIMENSIONS STANDARDS DIN 42 538

German standards.



In mm.

# 400SFR-P

## INTERFACE B EQUIPMENT BUSHING

### APPLICATION

For use in equipment insulated with SF<sub>6</sub> gas.

### TECHNICAL CHARACTERISTICS

Each bushing is tested for AC withstand and partial discharge prior to leaving the factory.



### DESIGN

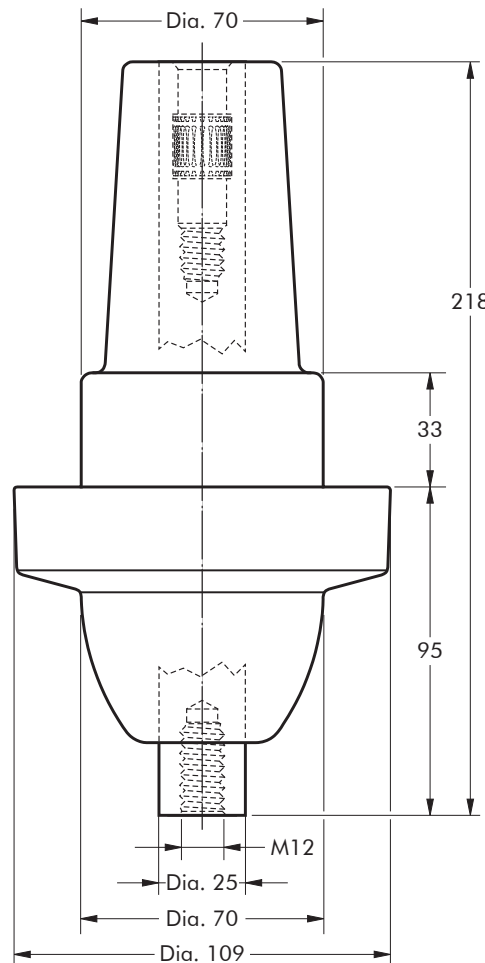
The equipment bushing is a moulded epoxy insulated part with a connector interface in accordance with CENELEC EN 50181. The 400SFR-P bushing has a shank outside this standard, adapted for use in SF<sub>6</sub> gas.

### SPECIFICATIONS AND STANDARDS

The plug-in type equipment bushing 400SFR-P meets the requirements of CENELEC EN 50180 and IEC 60137.

### ORDERING INSTRUCTIONS

To order the equipment bushing, simply specify the type.



**6/10 (12) kV**  
**6.35/11 (12) kV**  
**8.7/15 (17.5) kV**  
**12/20 (24) kV**  
**12.7/22 (24) kV**

**Up to 24 kV - 400 A**

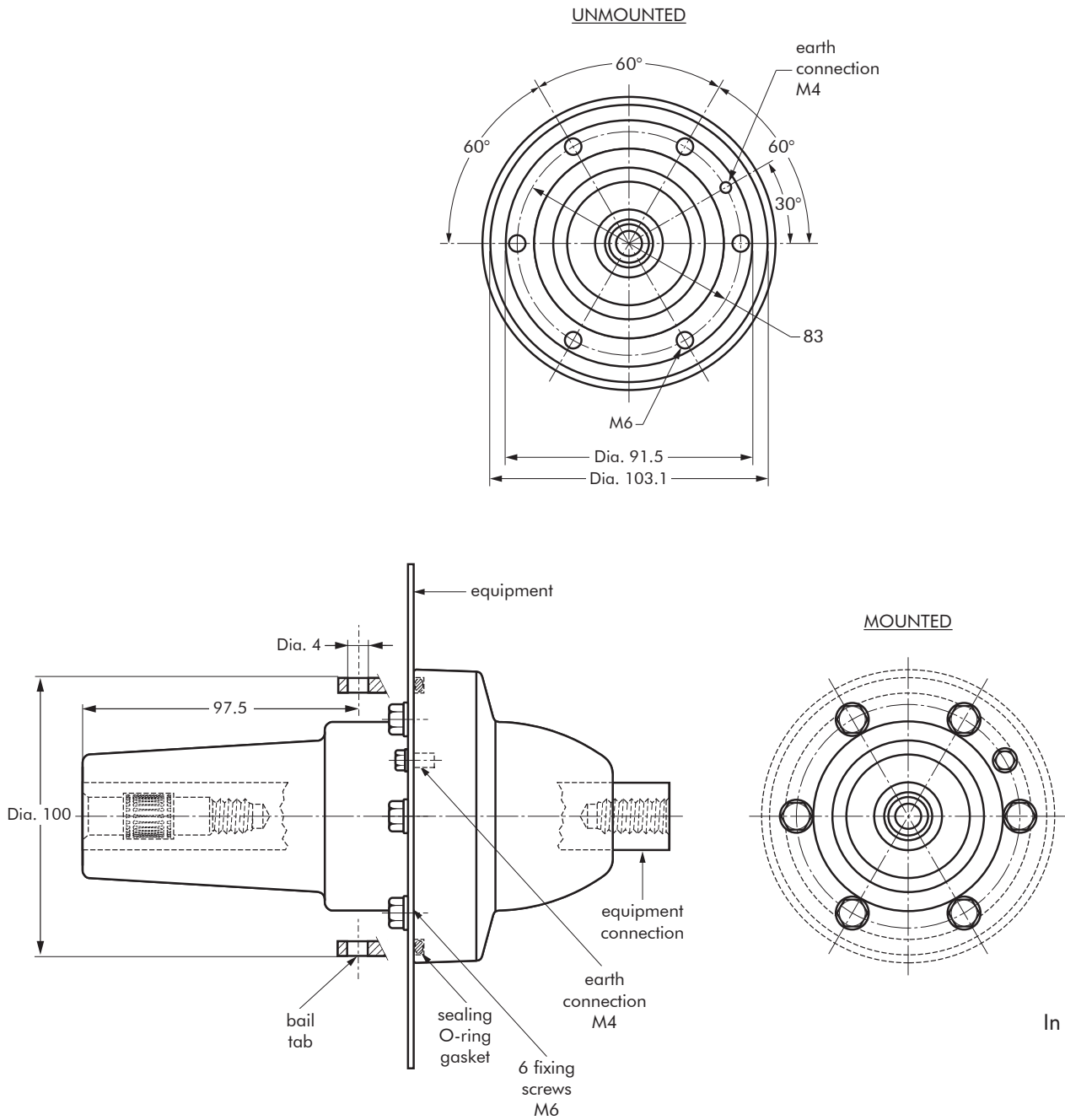
**EUROMOLD**

In mm.

Equipment bushing type	Voltage U <sub>m</sub> (kV)	Current I <sub>r</sub> (A)
400SFR-P	12	400
K400SFR-P	24	400

# FIXINGS FOR EQUIPMENT BUSHINGS

## 400SFR-P BUSHING FOR GAS INSULATED SWITCHGEAR



# ACCESSORIES

## APPLICATION

For use with connectors and bushings with an interface B as described by CENELEC EN 50180 and 50181.

## TECHNICAL CHARACTERISTICS

All these products, except the earthing plug, are tested for AC withstand and partial discharge prior to leaving the factory.

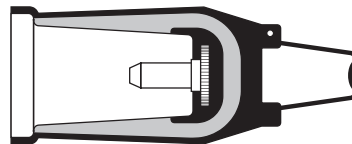
**6/10 (12) kV**  
**6.35/11 (12) kV**  
**8.7/15 (17.5) kV**  
**12/20 (24) kV**  
**12.7/22 (24) kV**  
**18/30 (36) kV**  
**19/33 (36) kV**

**Up to 36 kV**

## 400DR DEAD-END RECEPTACLE

Fits over a bushing with a type B interface to provide 'dead-end' facility.

Is used with a 400BA restraint bail.

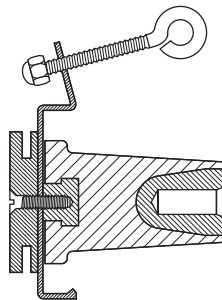


## ORDERING INSTRUCTIONS

Order  
400DR for 12 kV,  
K400DR for 24 kV or  
M400DR for 36 kV  
applications.  
Can be supplied with integral earth  
lead: add -/G.

## 400SOP STAND-OFF PLUG

Is designed to support and 'dead-end' connectors with a type B interface when removed from equipment.

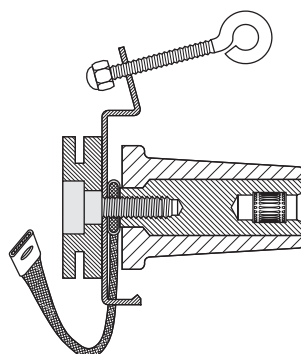


## ORDERING INSTRUCTIONS

Order  
400SOP for 12 kV,  
K400SOP for 24 kV or  
M400SOP for 36 kV  
applications.

## 400GP EARTHING PLUG

Is designed to support and earth connectors with a type B interface when removed from equipment.



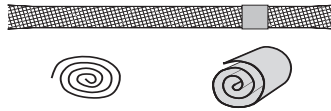
## ORDERING INSTRUCTIONS

Order  
400GP for 12 kV, 24 or 36 kV  
applications.



## **KIT MT EARTHING KIT FOR COPPER TAPE SCREENED CABLES**

Contains a tinned copper braid (25 mm<sup>2</sup> - L=500 mm), a tinned copper wire for cleating and water sealing mastic.



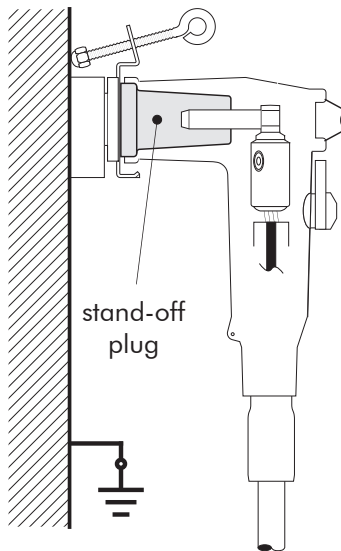
## **ORDERING INSTRUCTIONS**

Order  
Kit MT for 12 kV, 24 kV  
or 36 kV applications.

# POSSIBLE ARRANGEMENTS

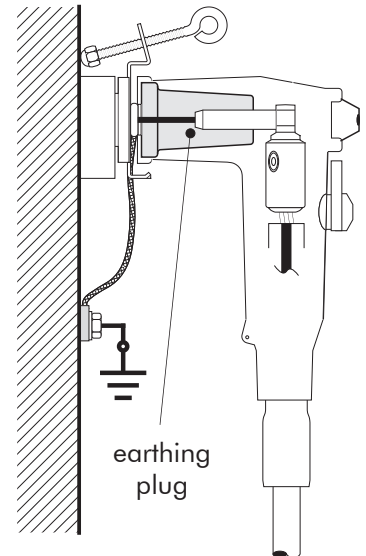
## CONNECTOR ON STAND-OFF PLUG

Order 400SOP for 12 kV,  
K400SOP for 24 kV or M400SOP  
for 36 kV applications.



## CONNECTOR ON EARTHING PLUG

Order 400GP for 12 kV, 24 kV and  
36 kV applications.



In mm.

# NOTES



## About Nexans

For over a century, Nexans has played a crucial role in the electrification of the planet and is committed to electrifying the future. With approximately 28,500 people in 41 countries, the Group is paving the way to a new world of safe, sustainable and decarbonized electricity that is accessible to everyone. In 2023, Nexans generated 6.5 billion euros in standard sales. The Group is a leader in the design and manufacturing of cable systems and services across four main business areas: Power Generation & Transmission, Distribution, Usage and Industry & Solutions. Nexans was the first company in its industry to create a Foundation supporting sustainable initiatives, bringing access to energy to disadvantaged communities worldwide. The Group is recognized on the CDP Climate Change A List as a global leader on climate action and has committed to Net-Zero emissions by 2050 aligned with the Science Based Targets initiative (SBTi).

Nexans. Electrify the future.

Nexans is listed on Euronext Paris, compartment A.

**For more information, please visit [www.nexans.com](http://www.nexans.com)**

—

### **Nexans Network Solutions NV - div. EUROMOLD**

Nexans Network Solutions NV - div. EUROMOLD  
Zuid III - Industrielaan 12  
B-9320 EREMBODEGEM-AALST — BELGIUM  
Tel: +32 (0)53/85 02 11  
E-mail: [sales.euromold@nexans.com](mailto:sales.euromold@nexans.com)  
[www.nexans.be/poweraccessories](http://www.nexans.be/poweraccessories)



Find out more about Nexans Power Accessories.