



Installation Power Supply

Primary switched

Click-In version

Suitable for PoE and PoE+

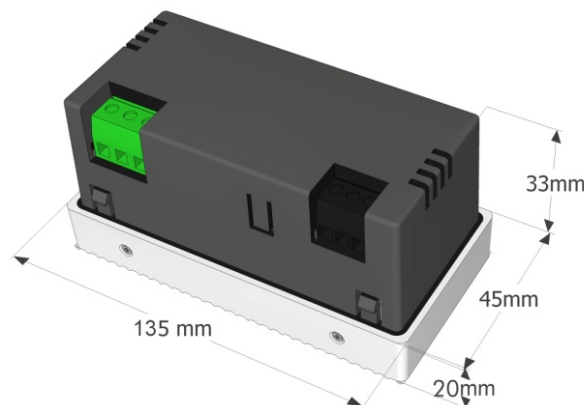
54V DC /130W

Features

- Power Supply for Installation Switch Systems with 54V DC Input
- Full PoE plus, IEEE 802.3at, compatibility
- Easy and toolless installation
- Support of 45mm installation format
- Fanless System with aluminum faceplate for best thermal performance
- Output Power: 130Watts
- Control-LED, green
- Primary Connection (100-240V AC):
 - Removable 3-pin connector
- Secondary connection (54V DC):
 - Removable 3-pin connector
- Mutual connection of function earth
- Low Voltage Directive "Protection Class II"

Dimensions

- Dimensions, mm: 135 x 45 x 53 (aluminum faceplate: 135 x 45 x 20; plastic housing: 130 x 40 x 33)



Nexans Deutschland GmbH • Advanced Networking Solutions

Bonnenbroicher Straße 2-14 • 41238 Moenchengladbach • Tel: +49 (0) 2166 27-2220 Fax: +49 (0) 2166 27-2499

E-Mail: sales.ans@nexans.com • www.nexans.de/ans

Nexans reserves the right to modify designs without giving the relevant reasons.

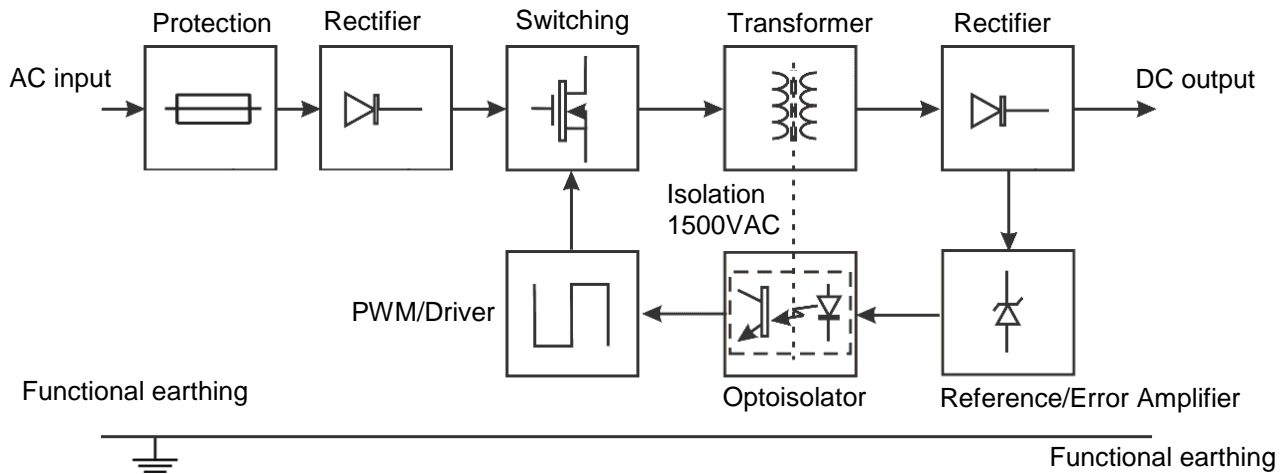
Copyright © Nexans 2017 - Subject to change without prior notice

Hardware Specification

Rated input range	100-240V AC – 50/60Hz
Input range	90-265V AC – 47/63Hz
Input current	1.31A @ 115V AC / 0.67A @ 230V AC
Input current, max.	3.15A
AC leakage current	0.25mA max at 240V AC input
Power Factor, PF	>92%
Inrush current, max.	60A @ 240V AC / 25°C
Unload standby power	<0.3W
Isolation	1.5kV
Rated output range	54V DC
Output current, max.	2.4A
Output power, max.	130W
Electrical protection	short circuit, over voltage and over current protection
Efficiency	min. 90% / typ. 92%
Weight	330g
Dimensions	135 x 45 x 53 (aluminum faceplate: 135 x 45 x 20; plastic housing: 130 x 40 x 33)
Ambient operating temperature range	0...+45°C
Storage temperature range	-10...+70°C
Relative humidity	5% - 90%
Safety	CE, EN 60950, IEC 60950*
EMC	EN 55022/EN 55024/EN 6100-3-2/En 61000-3-3
Protection	Class II

* The product is suitable for connection to IT power distribution systems providing 100-240V phase to phase voltage.

Block diagram



Ordering information

Nexans Article Number	Description
88646240	Click-In Power Supply 54VDC/130W 135x45

Nexans Deutschland GmbH • Advanced Networking Solutions

Bonnenbroicher Straße 2-14 • 41238 Monchengladbach • Tel: +49 (0) 2166 27-2220 Fax: +49 (0) 2166 27-2499

E-Mail: sales.ans@nexans.com • www.nexans.de/ans

Nexans reserves the right to modify designs without giving the relevant reasons.

Copyright © Nexans 2017 - Subject to change without prior notice