

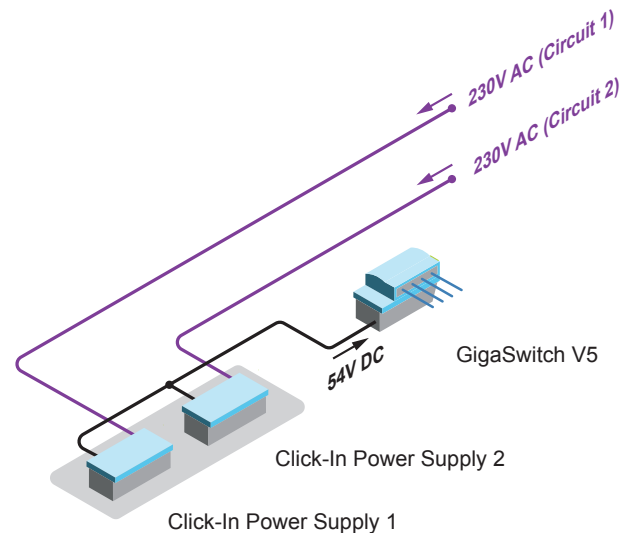
Redundancy with LANactive Click-In power supplies

In a decentralized power supply concept for FTTO Switches, the LANactive Click-In power supply provides the FTTO Switch with power. The power supply is connected to the 230V AC grid and converts the primary voltage to 54V DC. One FTTO Switch is typically connected to one Click-In power supply.

So far, a redundancy concept for these power supplies was very difficult and costly mapped, because the power supplies could not just be connected in parallel.

This situation has changed with the new generation of LANactive Click-In power supplies. Thanks to integrated diodes, the power supply units can now be connected and operated in parallel. Redundancy of the decentralized power supply concept is now easy to realize.

The following sketch shows the recommended redundancy circuit.



This scenario is a hot-standby redundancy without load sharing the required performance.

Click-In Power Supply



- Redundant connection possible
- 45mm mounting size, 90 x 45mm / 135 x 45mm
- Compact and fanless system with aluminum front panel
- Tool-less installation
- Support of IEEE802.3af, IEEE802.at and IEEE802.3bt
- Output voltage: 54V DC
- Output power: 70 watts / 130 watts
- Operating temperature: 0 °C ... 45 °C
- Function monitoring with control LED on the front
- Low Voltage Directive Protection Class II

Art-No	Product description
88646210	Click-In Power Supply 54VDC/70W 90x45
88646241	Click-In Power Supply 54VDC/130W 135x45